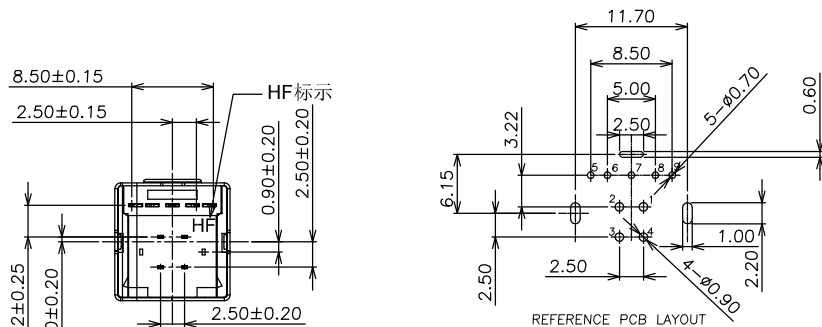


符合"DLK环境管理物质技术标准"

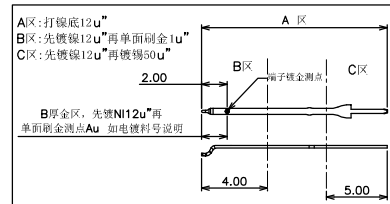
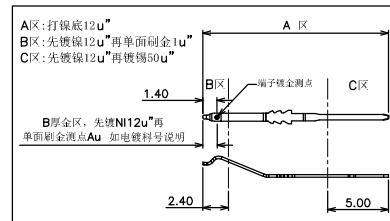
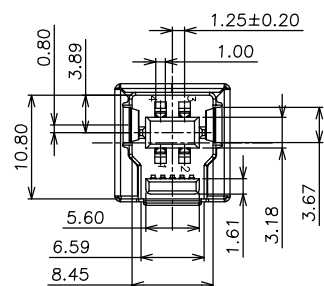
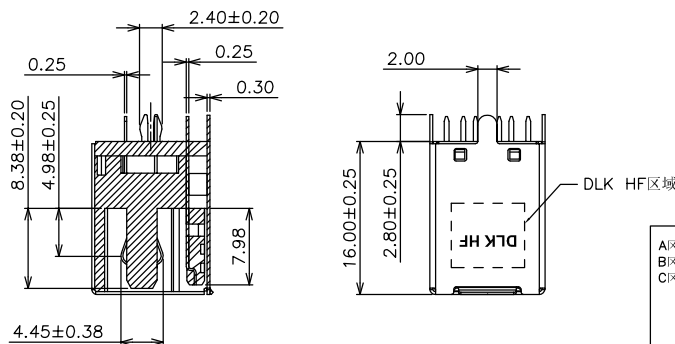
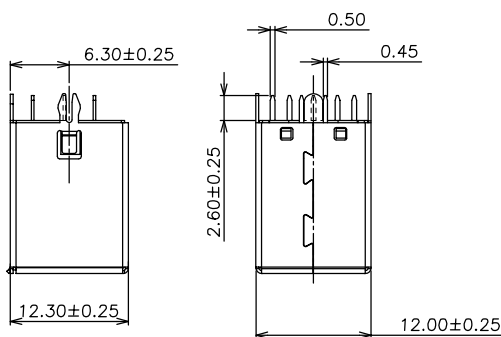
符合USB3.0协会规范标准"

工程变更通知单 ECN(DCN) NO.	版本 REV	日期 DATE	说明 DESCRIPTION	变更 CHANGE	核准 APPRO.
KSECN16076	A	20161215	NEW RELEASE	—	—

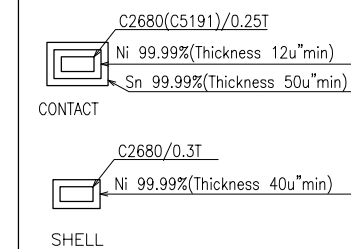


U3B23 C-09 * ** Y N2 0 HF

- ① ② ③ ④ ⑤ ⑥ ⑦
- ① PRODUCTION CODE (产品编码):
U3B23: USB 3.0 BF DIP 16H
- ② CHARACTER (特征):
C:DIP TYPE
- ③ POSITION (位数):
09: 9PIN
- ④ COLOR OF HOUSING(本体颜色):
L:BLUE
B:BLACK
- ⑤ PLATING OF CONTACT(端子电镀):
M1 : Au 1U" AND MATTE TIN 50U" PLATED
M4 : Au 15U" AND MATTE TIN 50U" PLATED
M5 : Au 30U" AND MATTE TIN 50U" PLATED
- ⑥ PACKAGE(包装):
Y :TRAY PACKAGE
- ⑦ PLATING OF SHELL(铁壳电镀):
N2 :Ni plated



电镀规格:



德力康电子科技有限公司
DLK DELIKANG ELECTRONICS TECHNOLOGY CO.,LTD

NO.	ITEM	Q'TY	DESCRIPTION	FINISH
4	COVER	1	PBT 无卤	UL94V-0
3	CONTACT	9	C2680/C5191	Au PLATED
2	SHELL	1	C2680	Ni PLATED
1	HOUSING	1	PBT 无卤	UL94V-0

GENERAL TOLERANCE
UNLESS OTHERWISE NOTED

Angle	±2°
X.	±0.38
.X	±0.30
.XX	±0.25
.XXX	±0.15

C 名称 TITLE:	USB 3.0 BF DIP 16H 180度			
档案名称 FILE NAME:	C-U3B23-00-HF	料号 PART NO.:	U3B23C-09***YN20HF	
DRAWING	王永辉	CHECKED	—	APPROVED 严成旺
UNIT:	mm	SCALE	1:1	SHEET: 1 of 1