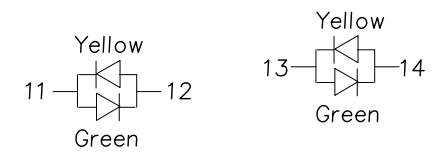
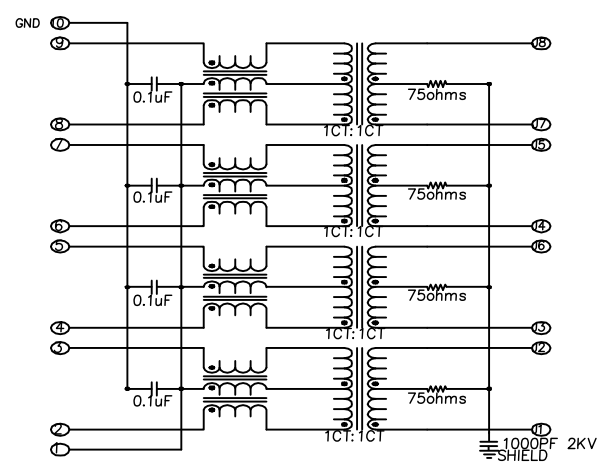
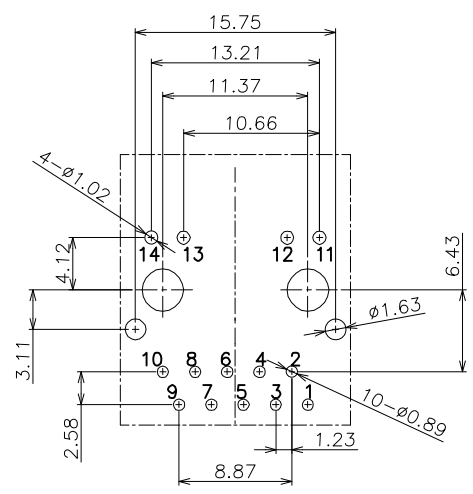
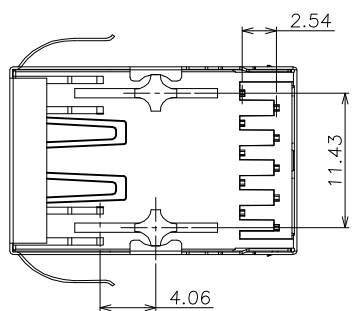
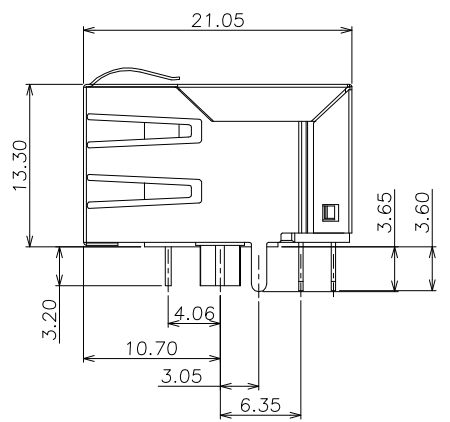
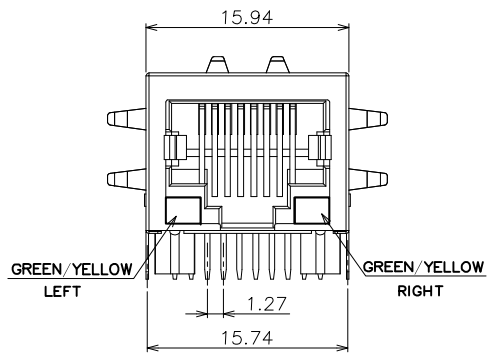


符合“DLK环境管理物质技术标准”

工程变更通知单 ECN(DCN) NO.	版本 REV	日期 DATE	说明 DESCRIPTION	变更 CHANGE	核准 APPRO.
KSECN16078	A	20161208	NEW RELEASE	—	—



ELECTRICAL SPECIFICATIONS @ 25°C unless otherwise noted:

Insertion Loss: 1-100MHZ -1.0dB MAX

Return Loss: 1-30MHZ -16.0dB MIN
 30-60MHZ -14.0dB MIN
 60-80MHZ -10.0dB MIN

Cross Talk: 1-30MHZ -40.0dB MIN
 30-60MHZ -35.0dB MIN
 60-80MHZ -30.0dB MIN

CMR: 1M-100MHZ -35dB MIN

Hi-Pot: 1500v AC 6S 1mA

Turn Ratio: 1CT:1CT+/-3%

OCL: 350uH MIN @ 100KHZ 100mV 8mA DC^{VCC}

Contacts: 0.35mm thick phos bronze plated with 30u' gold in contact are

Housing Material: PBT Black

Operating temperature range: -40°C - +85°C

德力康电子科技有限公司
 DLK DELIKANG ELECTRONICS TECHNOLOGY CO.,LTD

GENERAL TOLERANCE UNLESS OTHERWISE NOTED		C 名称 TITLE: RJ45 14P			
Angle	±5°	档案名称 FILE NAME:	C-RJK48-00-00	料号 PART NO.:	RJK48D-14BS5YN10
X.	±0.38	DRAWING	王永辉	CHECKED	—
.X	±0.25	UNIT:	mm	SCALE	1:1
.XX	±0.20	SHEET:	1 of 1		
.XXX	±0.10				
A4	⊕				