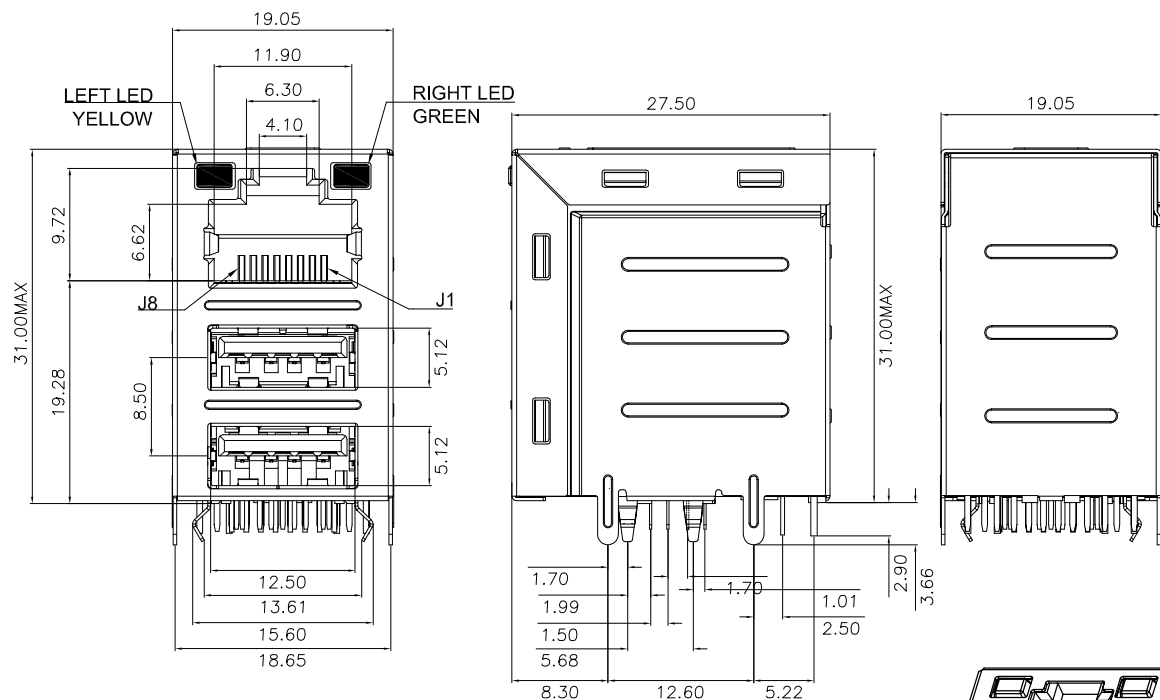


符合"DLK环境管理物质技术标准"

工程变更通知单 ECN(DCN) NO.	版本 REV	日期 DATE	说明 DESCRIPTION	变更 CHANGE	核准 APPRO.
_____	A	20180417	NEW RELEASE	_____	_____



**NOTE:**

**1.MATERIAL:**

Housing: High temp. Thermo plastics,UL94V-0.  
Contact:Copper Alloy.  
Shell: Steel or Spcc.

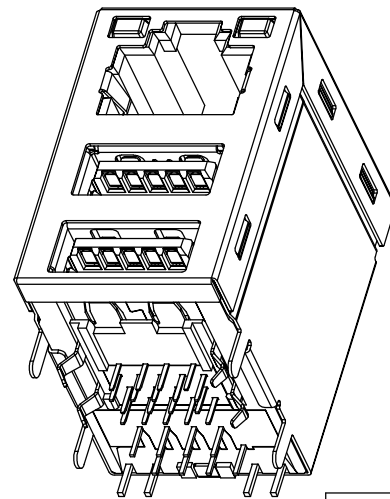
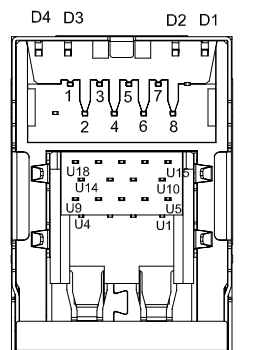
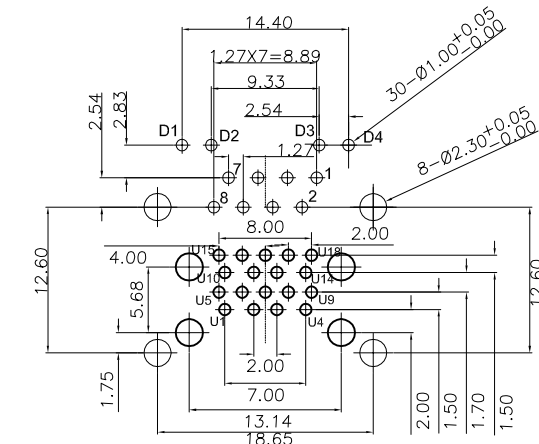
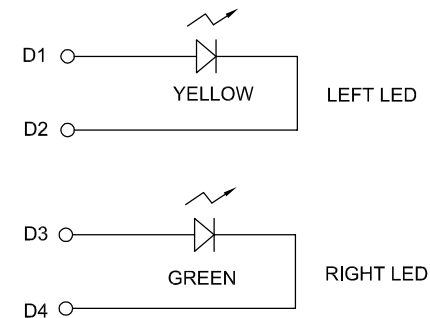
**2.Electrical performance:**

Voltage Current Rating:1.5 AMP. 30V AC  
Insulation Resistance:1000M Ω Min.  
Contact Resistance:30 m Ω Max.  
Dielectric Withstanding Voltage:500V AC

**3.Temperature Range:-45℃ to +85℃**

**4.FINISH:**

Contact:Tin Plating 100u" on solder tail area,  
RJ45 Gold plating Flash on contact area.  
USB Gold plating Flash on contact area,  
30u" min Ni underplating over all.



PRODUCT LOCATION PROFILE

RECOMMENDED P.C.B. PATTERN LAYOUT TOP VIEW (ALL TOLERANCE ARE:0.05mm)

BOTTOM VIEW

GENERAL TOLERANCE UNLESS OTHERWISE NOTED	
Angle	±5°
X.	±0.38
.X	±0.25
.XX	±0.20
.XXX	±0.10
A4	

**DLK** 德力康电子科技有限公司  
DELIKANG ELECTRONICS TECHNOLOGY CO.,LTD

名称 TITLE:		RJ45+双层USB3.0带灯无弹左黄右绿 (新结构)			
档案名称 FILE NAME:		C-RJU83-00-00	料号 PART NO.:	RJU83D-30BXXYN10	
DRAWING	王永辉	CHECKED	APPROVED	严成旺	
UNIT:	mm	SCALE	1:1	SHEET: 1 of 1	