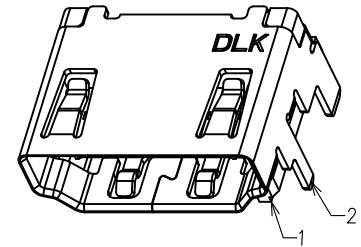
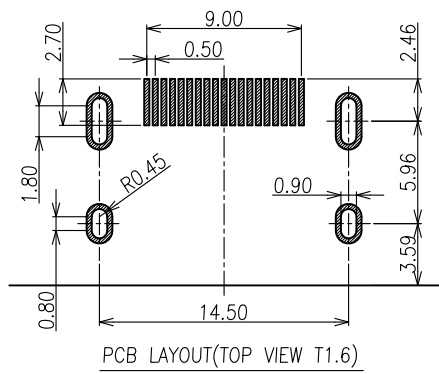
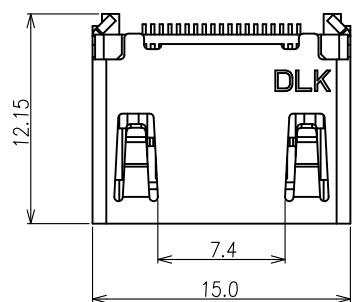


符合“DLK环境管理物质技术标准”,符合HDMI协会规范要求

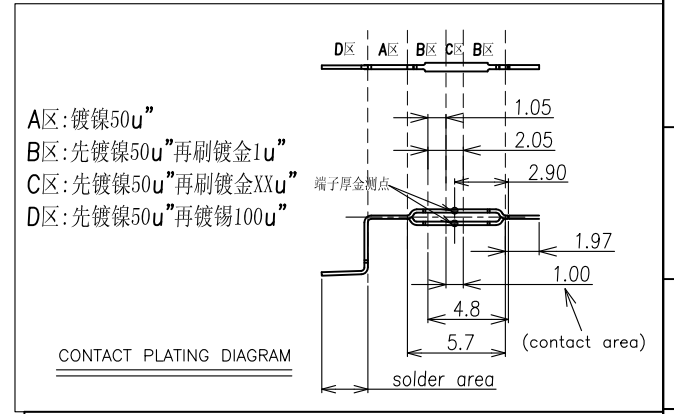
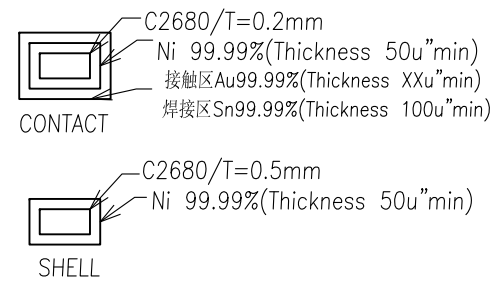
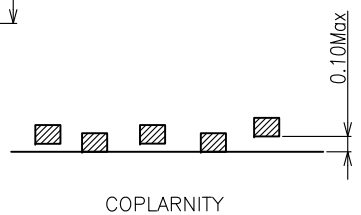
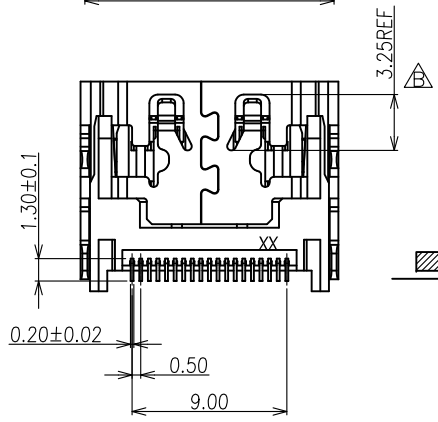
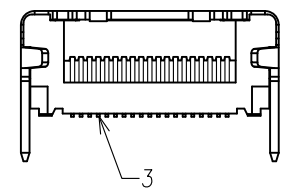
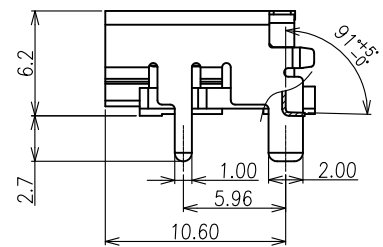
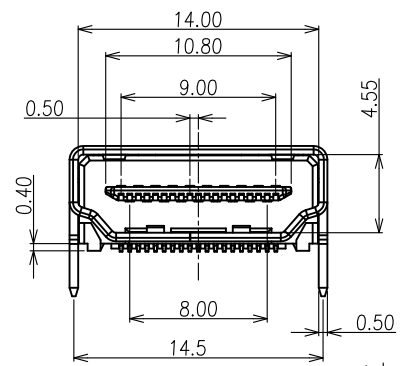
工程变更通知单 ECN(DCN) NO.	版本 REV	日期 DATE	说明 DESCRIPTION	改变 CHANGE	承认 APPRO.
—	A	20131202	NEW	—	—
KSECN16085	B	20161231	增强拔出力将弹片力臂 由5.38mm改为3.25mm	陈浩泽	王永辉
KSECN18032	C	20180426	增加镀金 5U” 规格	汪庆	王永辉



HDM41 A-19 B ** R N1 1
① ② ③ ④ ⑤ ⑥ ⑦

- ① PRODUCTION CODE (产品编码):
HDM41: MOLDING HDMI SERIES
- ② CHARACTER (特征):
A: R/A SMT TYPE
- ③ POSITION (位数):
19:19PIN
- ④ COLOR OF HOUSING(本体颜色):
B:BLACK COLOR
- ⑤ PLATING OF CONTACT(端子电镀):
M2 :Au 5U” AND MATTE TIN 100U” PLATED
M4 :Au 15U” AND MATTE TIN 100U” PLATED
- ⑥ PACKAGE(包装):
R :TAPE&REEL PACKAGE
- ⑦ PLATING OF SHELL(铁壳电镀):
N1:NI PLATD

TPV P/N: 088G 340 19G AD



DLK 德力康电子科技有限公司
DLK DELIKANG ELECTRONICS TECHNOLOGY CO.,LTD

GENERAL TOLERANCE UNLESS OTHERWISE NOTED	
Angle	±1°
X.	±0.30
.X	±0.25
.XX	±0.15
.XXX	±0.10

C 名称 TITLE:	HDMI A/F R/A 6.2H 19PIN SMT CONN.			
档案名称 FILE NAME:	C-HDM41-00-01	料号 PART NO.:	HDM41A-19B**RN11	
DRAWING	陆桂棚	CHECKED	APPROVED	严成旺
UNIT:	mm	SCALE	1:1	SHEET: 1 of 1

NO.	ITEM	Q'TY	DESCRIPTION	FINISH
3	CONTACT	19	COPPER ALLOY	PLATED Au
2	SHELL	1	COPPER ALLOY	PLATED NI
1	HOUSING	1	LCP	UL94V-0,Black