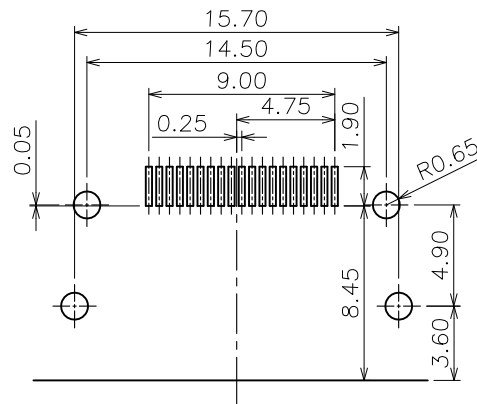
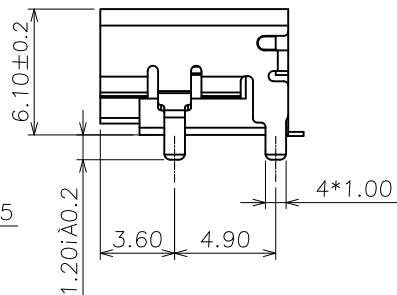
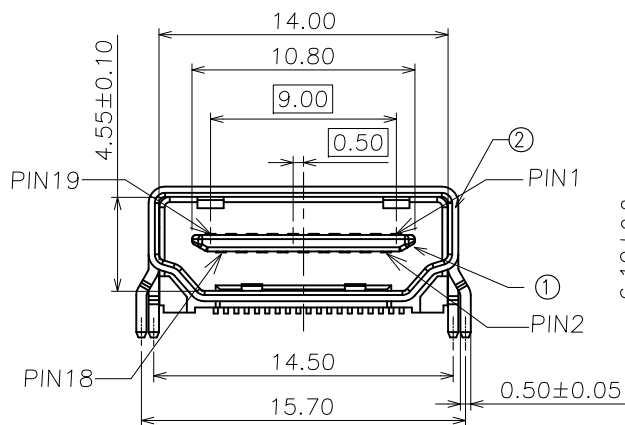
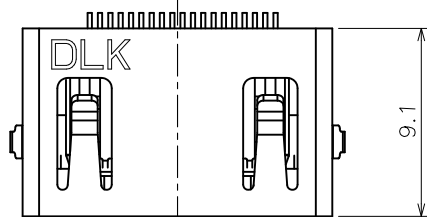
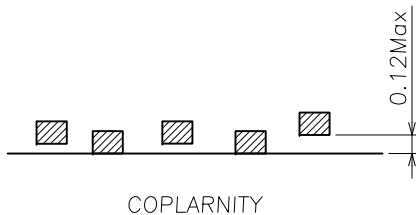
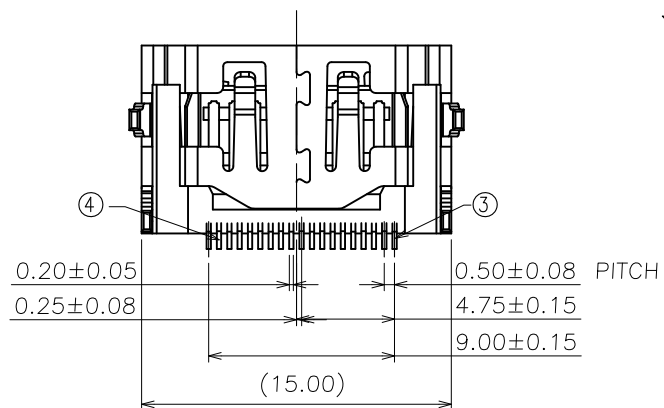


符合“DLK环境管理物质技术标准”

工程变更通知单 ECN(DCN) NO.	版本 REV	日期 DATE	说明 DESCRIPTION	改变 CHANGE	承认 APPRO.
KSECN16003	A	20160108	NEW	—	—
KSECN16008	B	20160329	产品结构由组装式改为Molding式	陈浩泽	王永辉



PCB LAYOUT(TOP VIEW)



HDM2K A-19 B G1 R N1 L
① ② ③ ④ ⑤ ⑥ ⑦ ⑧

- ① PRODUCTION CODE (产品编码):
HDM2K: HDMI SERIES
- ② CHARACTER (特征):
A:180° SMT TYPE
- ③ POSITION (位数):
19:19PIN
- ④ COLOR OF HOUSING(本体颜色):
B:BLACK COLOR
- ⑤ PLATING OF CONTACT(端子电镀):
G1 :Ni底50u" Min, 浸镀全金3u" Min
- ⑥ PACKAGE(包装):
R :TAPE&REEL PACKAGE
- ⑦ PLATING OF SHELL(铁壳电镀):
N1:NI PLATD
- ⑧ 特征码:
L:LG规格, 外壳焊脚长1.2mm

NO.	ITEM	Q'TY	DESCRIPTION	FINISH
4	SHORT CONTACT	9	COPPER ALLOY	PLATED Au
3	LONG CONTACT	10	COPPER ALLOY	PLATED Au
2	SHELL	1	COPPER ALLOY	PLATED NI
1	HOUSING	1	LCP	UL94V-0,Black

GENERAL TOLERANCE
UNLESS OTHERWISE NOTED

Angle	±1°
X.	±0.30
.X	±0.25
.XX	±0.15
.XXX	±0.10



德力康电子科技有限公司
DELIKANG ELECTRONICS TECHNOLOGY CO.,LTD

C 名称 TITLE:	HDMI 19PIN REC. CONN.			
档案名称 FILE NAME:	C-HDM2K-00-0L	料号 PART NO.:	HDM2KA-19BG1R1N1L	
DRAWING	陈浩泽	CHECKED	—	APPROVED 严成旺
UNIT:	mm	SCALE	1:1	SHEET: 1 of 1