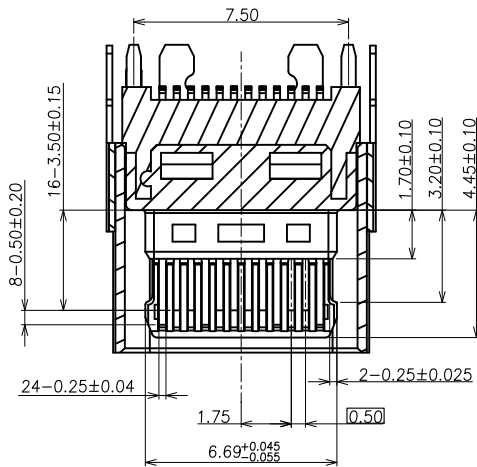
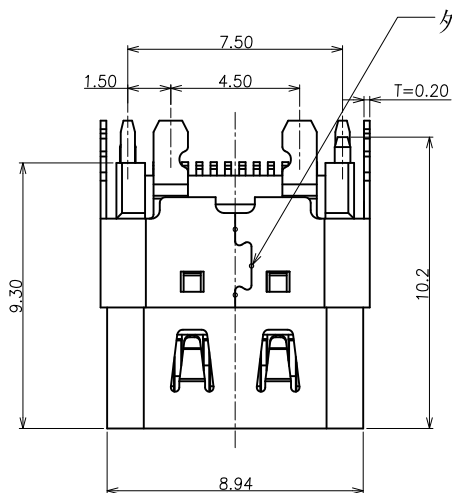


符合"DLK环境管理物质技术标准",符合USB协会规范要求

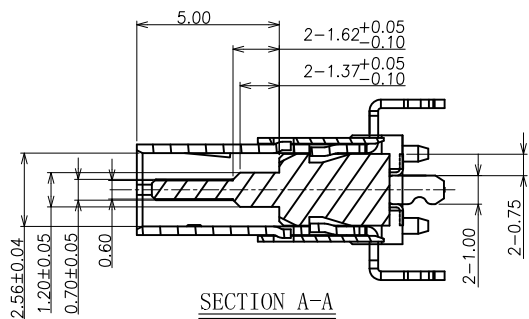
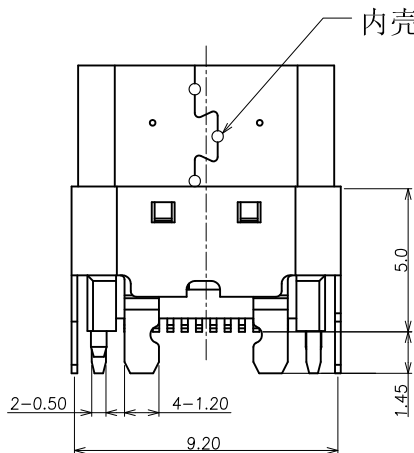
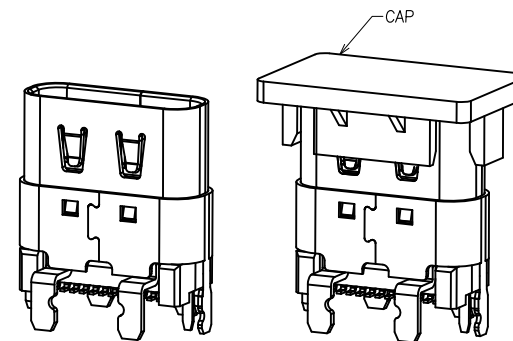
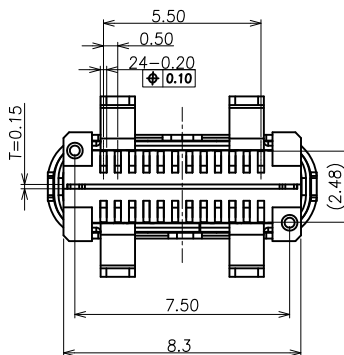
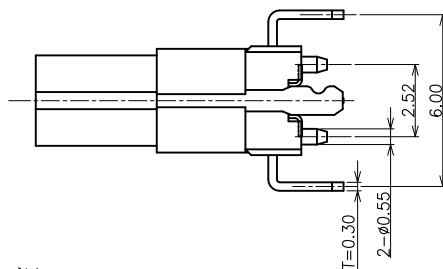
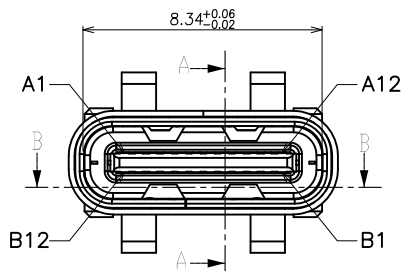
工程变更通知单 ECN(DCN) NO.	版本 REV	日期 DATE	说明 DESCRIPTION	改变 CHANGE	承认 APPRO.
—	A	20240117	NEW RELEASE	—	—



SECTION B-B  
SCALE 1:1

NOTE:

- MATERIAL.
  - Housing: LCP UL94v-0, color: Black
  - Contact: Copper Alloy
  - Shell: Stainless steel
  - Mid Plate: Stainless steel
- PLATING:
  - Contact: G/F plated on contact Area & on solder Area, Nickel underplated
  - Shell: Nickel plated overall
- MECHANICAL:
  - Mating force: 5~20N
  - Unmating force: 8~20N
  - Durability: 10000 cycles
- ELECTRICAL:
  - Current Rating: 5A
  - Voltage Rating: 48V
  - Dielectric strength: 100v AC FOR 1 minute
  - Insulation Resistance: 100MΩ Min.
  - Contact Resistance: 40mΩ Max
  - Operating Temperature: -55°C to +85°C
- PACKING: Tape & Reel



SECTION A-A  
SCALE 1:1

GENERAL TOLERANCE  
UNLESS OTHERWISE NOTED

Angle	±5°
X.	±0.35
.X	±0.25
.XX	±0.15
.XXX	±0.10
A4	



德力康电子科技有限公司

DLK DELIKANG ELECTRONICS TECHNOLOGY CO.,LTD

C 名称 TITLE	USB4 GEN3 Type-C			
档案名称 FILE NAME.	C-U4C21-00-00	料号 PART NO.	12124B01201	
DRAWING	覃智森	CHECKED	APPROVED	段国强
UNIT:	mm	SCALE	1:1	SHEET: 1 of 2

