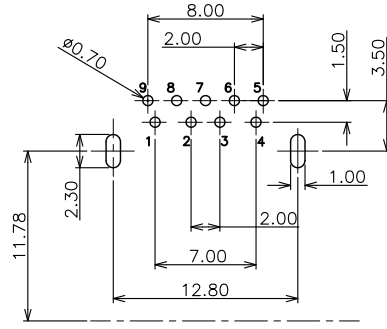
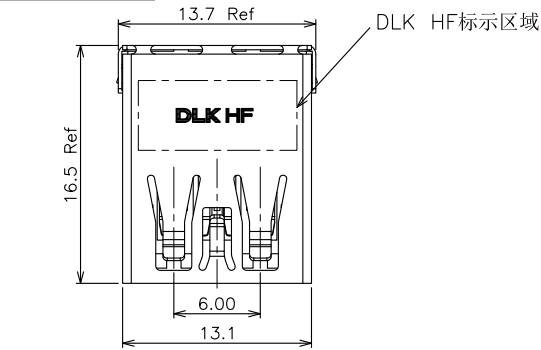
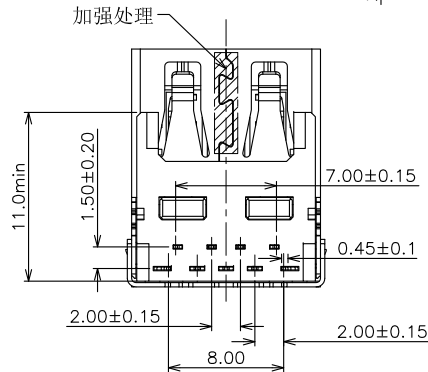
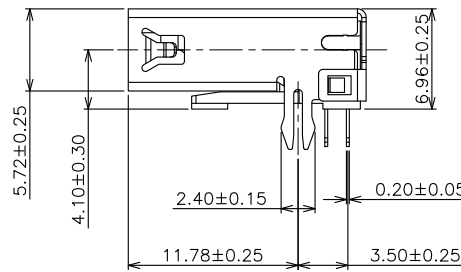
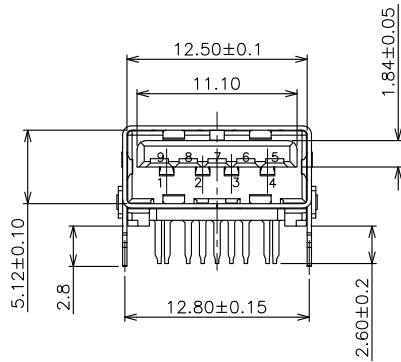


符合"DLK环境管理物质技术标准"

符合USB3.0协会规范标准"



RECOMMENDED PCB LAYOUT  
TOLERANCE: ±0.05mm



工程变更通知单 ECN(DCN) NO.	版本 REV	日期 DATE	说明 DESCRIPTION	变更 CHANGE	核准 APPRO.
KSECN17031	A	20170602	NEW RELEASE	—	—
KSECN21003	B	20200108	增加U3A20D-09BM1YN2HHF(纯黑) $\triangle$ *1	蒋召	覃智森
KSECN23028	C	20230828	修改电镀规格 $\triangle$ *1	蒋召	段国强

NOTE:

1. MATERIAL.

1.1 Housing: LCP UL94v-0, color: Black

1.2 Contact: Phosphor bronze

1.3 Shell: Stainless steel

2. PLATING:

2.1 Contact: G/F plated on contact Area,50u" Min. Matte

Tin plated on solder tail,50u" Min. Nickel underplated

2.2 Shell: Nickel plated overall

3. MECHANICAL:

3.1 Mating force:3.57kgf Max.

3.2 Unmating force:1.02kgf Min.

3.3 Durability:1500 cycles Min.

4. ELECTRICAL:

4.1 Current Rating:1.5A

4.2 Voltage Rating:36V

4.3 Dielectric strength:500V AC FOR 1 minute

4.4 Insulation Resistance:1000M $\Omega$  Min.

4.5 Contact Resistance:30m $\Omega$  Max

5. Operating Temperature:-55°c to +85°c

6. PACKING: Tray

GENERAL TOLERANCE  
UNLESS OTHERWISE NOTED

Angle	±5°
X.	±0.35
.X	±0.25
.XX	±0.15
.XXX	±0.10
A4	



德力康电子科技有限公司

DLK DELIKANG ELECTRONICS TECHNOLOGY CO.,LTD

C 名称 TITLE:	USB 3.0 A/F R/A 6.96H STD.			
档案名称 FILE NAME:	C-U3A20-00-0H	料号 PART NO:	22009B012H1	
DRAWING	王永辉	CHECKED	—	APPROVED 严成旺
UNIT:	mm	SCALE	1:1	SHEET: 1 of 1

NO.	ITEM	Q'TY	DESCRIPTION	FINISH
4	COVER	1	LCP	UL94V-0
3	CONTACT	9	Phosphor bronze	Au PLATED
2	SHELL	1	Stainless steel	Ni PLATED
1	HOUSING	1	PBT HF $\triangle$	UL94V-0
			LCP	