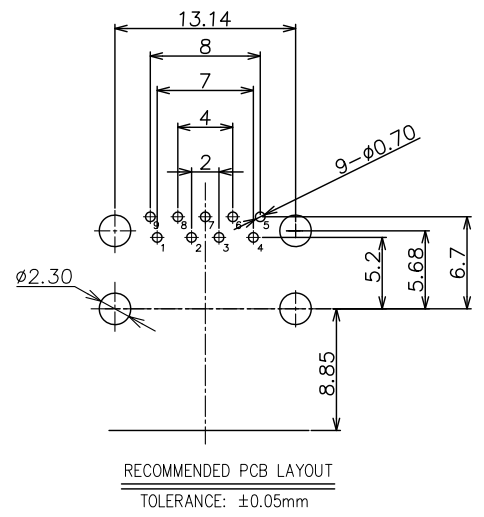
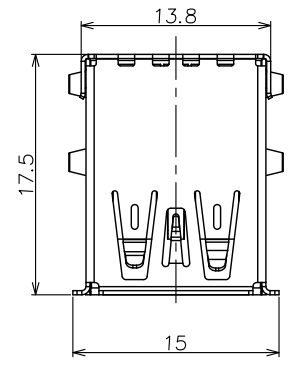


符合"DLK 环境管理物质技术标准"

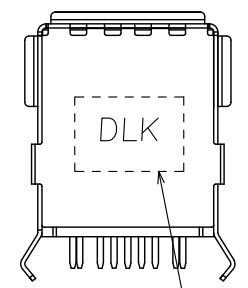
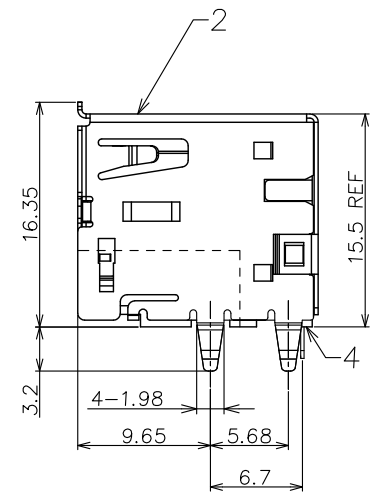
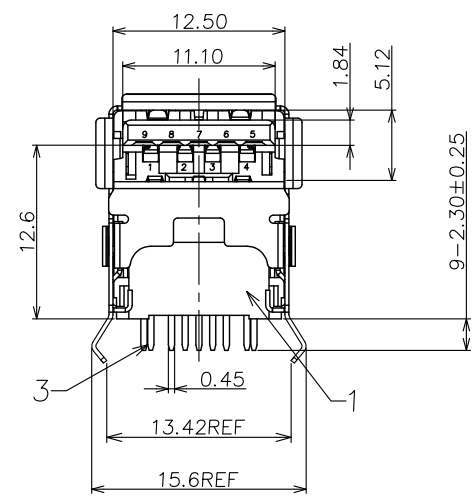
符合USB3.0协会规范标准"

| | | | | | |
|-------------------------|-----------|------------|-------------------|--------------|-------------|
| 工程变更通知单 ECN(DCN) NO. | 版本 REV | 日期 DATE | 说明 DESCRIPTION | 改变 CHANGE | 审核 CHECK |
| KSECN17057 | A | 20170925 | NEW RELEASE | — | — |



NOTE:

- MATERIAL:
 - Housing: PA9T UL94v-0, color: Black
 - Contact: Phosphor bronze
 - Shell: Stainless steel
- PLATING:
 - Contact: 15u" Au plated on contact Area,50u" Min. Matte Tin plated on solder tail,50u" Min. Nickel underplated
 - Shell: Nickel plated overall
- MECHANICAL:
 - Mating force: 3.57kgf Max.
 - Unmating force: 1.02kgf Min.
 - Durability: 1500 cycles Min.
- ELECTRICAL:
 - Current Rating: 1.5A
 - Voltage Rating: 36V
 - Dielectric strength: 500V AC FOR 1 minute
 - Insulation Resistance: 1000MΩ Min.
 - Contact Resistance: 30mΩ Max
 - Operating Temperature: -55°C to +85°C
- PACKING: Tray



DLK LOGO

DLK 德力康电子科技有限公司
DELIKANG ELECTRONICS TECHNOLOGY CO.,LTD

| | | | | |
|-----|---------|------|-------------------------|-----------|
| 4 | COVER | 1 | PA9T | UL94V-0 |
| 3 | CONTACT | 9 | Brass & Phosphor bronze | Au PLATED |
| 2 | SHELL | 1 | Stainless steel | Ni PLATED |
| 1 | HOUSING | 1 | PA9T | UL94V-0 |
| NO. | ITEM | Q'TY | DESCRIPTION | FINISH |

| | |
|--|-------|
| GENERAL TOLERANCE UNLESS OTHERWISE NOTED | |
| Angle | ±5' |
| X. | ±0.35 |
| .X | ±0.25 |
| .XX | ±0.15 |
| .XXX | ±0.10 |

| | | | | | |
|---|--------------------|--------------------------------|-----------------|-------------|---------------|
| C | 名称 TITLE: | USB 3.0 AF 90D 15.5H CONNECTOR | | | |
| | 档案名称 FILE NAME: | C-U3A20-00-0K | 料号 PART NO.: | 22009B042K0 | |
| | DRAWING | 王永辉 | CHECKED | APPROVED | 严成旺 |
| | UNIT: | mm | SCALE | 1:1 | SHEET: 1 of 1 |