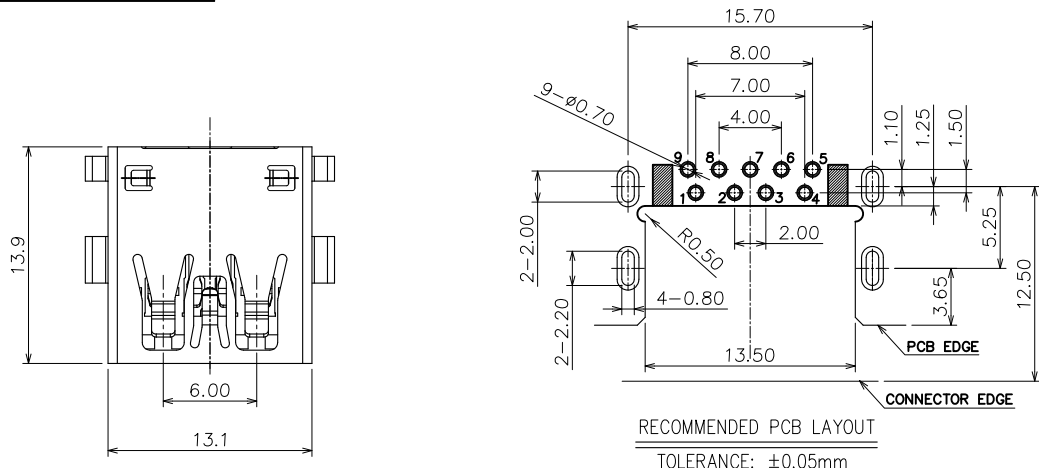


符合"DLK 环境管理物质技术标准"

符合USB3.0 协会规范标准"

工程变更通知单 ECN(DCN) NO.	版本 REV	日期 DATE	说明 DESCRIPTION	变更 CHANGE	核准 APPRO.
_____	X0	20201106	NEW RELEASE	—	—



NOTE:

1. MATERIAL.

1.1 Housing: PA9T UL94v-0, color: Black

1.2 Contact: Phosphor bronze

1.3 Shell: Stainless steel

2. PLATING:

2.1 Contact: 30u" Au plated on contact Area,50u" Min.

Matte Tin plated on solder tail,50u" Min. Nickel underplated

2.2 Shell: Nickel plated overall

3. MECHANICAL:

3.1 Mating force: 3.57kgf Max.

3.2 Unmating force: 1.02kgf Min.

3.3 Durability: 1500 cycles Min.

4 ELECTRICAL:

4.1 Current Rating: 1.5A

4.2 Voltage Rating: 36V

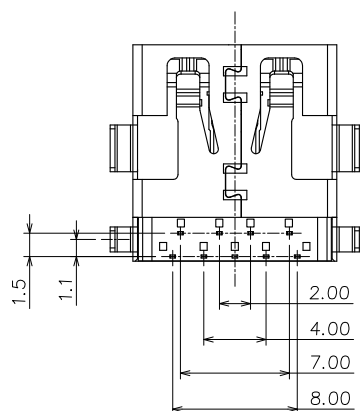
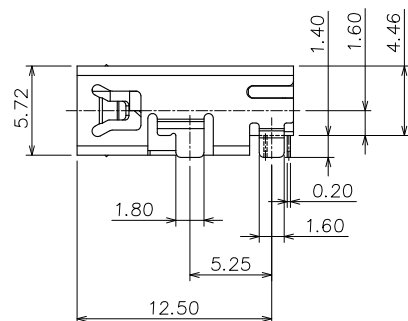
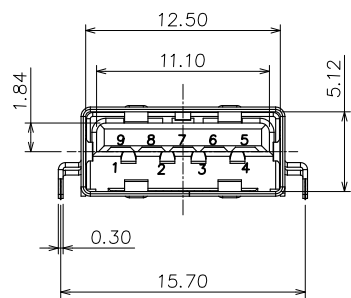
4.3 Dielectric strength: 500V AC FOR 1 minute

4.4 Insulation Resistance: 1000MΩ Min.

4.5 Contact Resistance: 30mΩ Max

5. Operating Temperature: -55°C to +85°C

6. PACKING: Tray



//	SIGNAL NAME	DESCRIPTION
1	VBUS	POWER
2	D-	USB 2.0 DIFFERENTIAL PAIR
3	D+	DIFFERENTIAL PAIR
4	GND	GROUND FOR POWER
5	St dA_SSRX-	SUPERSPEED RECEIVEP DIFFERENTIAL PAIR
6	St dA_SSRX+	DIFFERENTIAL PAIR
7	GND_DRAIN	GROUND FOR SIGNAL
8	St dA_SSTX-	SUPERSPEED TRANSMIT DIFFERENTIAL PAIR
9	St dA_SSTX+	DIFFERENTIAL PAIR
Shell	Shield	CONNFCATOR MFTAL SH-

GENERAL TOLERANCE
UNLESS OTHERWISE NOTED

Angle	±5°
X.	±0.35
.X	±0.25
.XX	±0.15
.XXX	±0.10
A4	

德力康电子科技有限公司
DLK DELIKANG ELECTRONICS TECHNOLOGY CO.,LTD

名称 TITLE: USB3.0 AF 沉板式

档案名称 FILE NAME: C-U3A20-0C-00

料号 PART NO: 22009B051C0

DRAWING 覃智森 CHECKED _____ APPROVED 吴豪

UNIT: mm SCALE 1:1 SHEET: 1 of 1