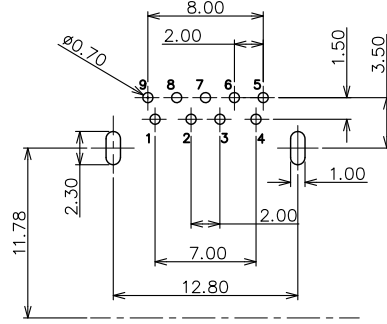
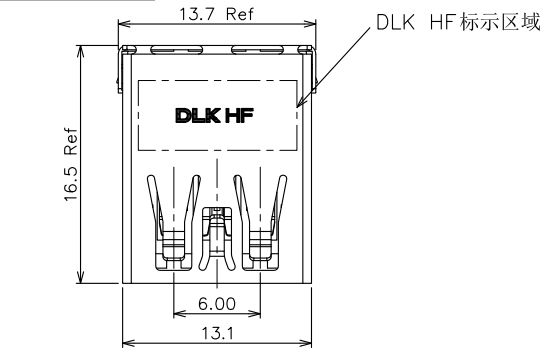
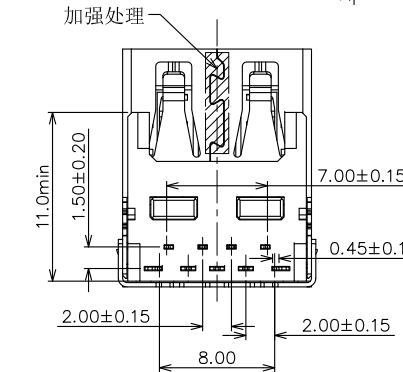
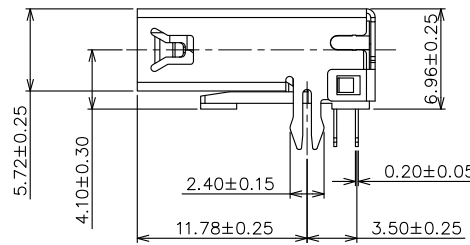
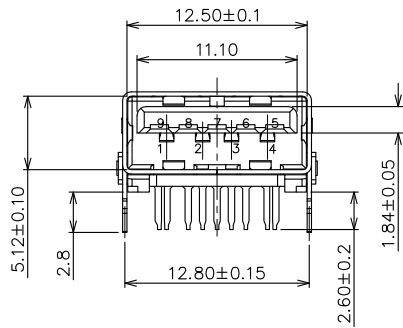


符合"DLK 环境管理物质技术标准"

符合USB3.0协会规范标准"



RECOMMENDED PCB LAYOUT  
TOLERANCE: ±0.05mm



工程变更通知单 ECN(DCN) NO.	版本 REV	日期 DATE	说明 DESCRIPTION	变更 CHANGE	核准 APPRO.
KSECN17031	A	20170602	NEW RELEASE	—	—
KSECN21003	B	20200108	增加U3A20D-09BM1YN2HHF(纯黑) $\triangle$ *1	蒋召	覃智森
KSECN23028	C	20230828	修改电镀规格 $\triangle$ *1	蒋召	段国强

NOTE:

- MATERIAL.
  - Housing: LCP UL94v-0, color: Black
  - Contact: Phosphor bronze
  - Shell: Stainless steel
- PLATING:
  - Contact: 30u" Au plated on contact Area,50u" Min. Matte Tin plated on solder tail,50u" Min. Nickel underplated
  - Shell: Nickel plated overall
- MECHANICAL:
  - Mating force: 3.57kgf Max.
  - Unmating force: 1.02kgf Min.
  - Durability: 1500 cycles Min.
- ELECTRICAL:
  - Current Rating: 1.5A
  - Voltage Rating: 36V
  - Dielectric strength: 500V AC FOR 1 minute
  - Insulation Resistance: 1000M $\Omega$  Min.
  - Contact Resistance: 30m $\Omega$  Max
- Operating Temperature: -55 $^{\circ}$ c to +85 $^{\circ}$ c
- PACKING: Tray

NO.	ITEM	Q'TY	DESCRIPTION	FINISH
4	COVER	1	LCP	UL94V-0
3	CONTACT	9	Phosphor bronze	Au PLATED
2	SHELL	1	Stainless steel	Ni PLATED
1	HOUSING	1	PBT HF $\triangle$	UL94V-0
			LCP	

GENERAL TOLERANCE  
UNLESS OTHERWISE NOTED

Angle	±5'
X.	±0.35
.X	±0.25
.XX	±0.15
.XXX	±0.10
A4	

德力康电子科技有限公司  
DLK DELIKANG ELECTRONICS TECHNOLOGY CO.,LTD

C	名称 TITLE:	USB 3.0 A/F R/A 6.96H STD.			
	档案名称 FILE NAME:	C-U3A20-00-0H	料号 PART NO:	22009B052H1	
	DRAWING	王永辉	CHECKED	—	APPROVED 严成旺
	UNIT:	mm	SCALE	1:1	SHEET: 1 of 1