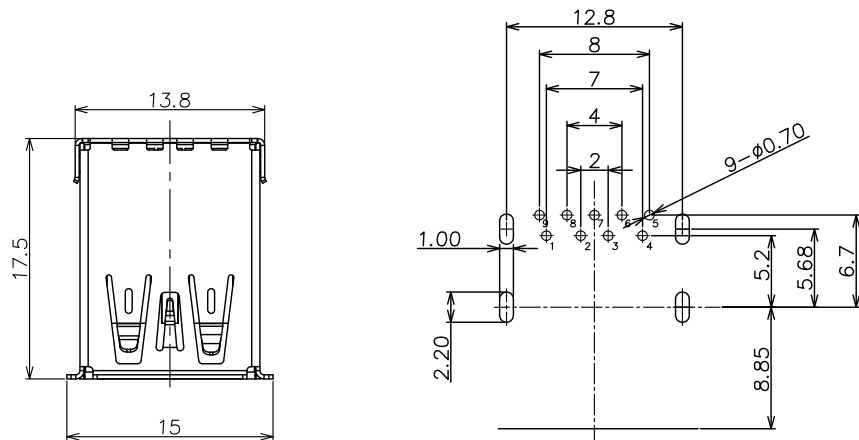


符合"DLK 环境管理物质技术标准"

符合USB3.0协会规范标准"

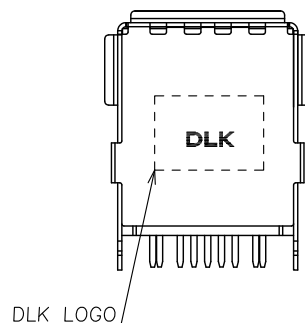
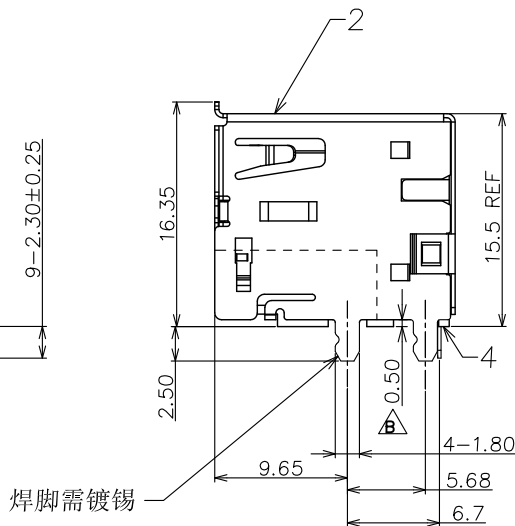
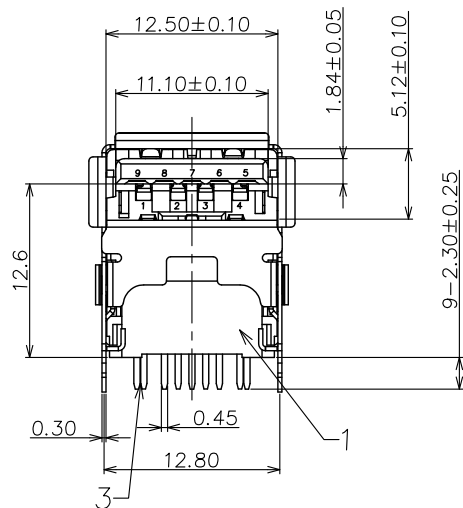
工程变更通知单 ECN(DCN) NO.	版本 REV	日期 DATE	说明 DESCRIPTION	改变 CHANGE	审核 CHECK
KSECN16076	A	20161215	NEW RELEASE	—	—
KSECN17058	B	20171023	依客户要求将产品外壳固定脚塑胶贴板面位置减胶0.5mm 	王永辉	严成旺



RECOMMENDED PCB LAYOUT
TOLERANCE: ±0.05mm

NOTE:

1. MATERIAL:
 - 1.1 Housing: PA9T UL94v-0, color: Black
 - 1.2 Contact: Phosphor bronze
 - 1.3 Shell: Stainless steel
2. PLATING:
 - 2.1 Contact: 30u" Au plated on contact Area,50u" Min. Matte Tin plated on solder tail,50u" Min. Nickel underplated
 - 2.2 Shell: Nickel plated overall
3. MECHANICAL:
 - 3.1 Mating force: 3.57kgf Max.
 - 3.2 Unmating force: 1.02kgf Min.
 - 3.3 Durability: 1500 cycles Min.
4. ELECTRICAL:
 - 4.1 Current Rating: 1.5A
 - 4.2 Voltage Rating: 36V
 - 4.3 Dielectric strength: 500V AC FOR 1 minute
 - 4.4 Insulation Resistance: 1000MΩ Min.
 - 4.5 Contact Resistance: 30mΩ Max
5. Operating Temperature: -55°C to +85°C
6. PACKING: Tray



NO.	ITEM	Q'TY	DESCRIPTION	FINISH
4	COVER	1	PBT	UL94V-0
3	CONTACT	9	Brass & Phosphor bronze	Au PLATED
2	SHELL	1	Stainless steel	Ni PLATED
1	HOUSING	1	PBT	UL94V-0

GENERAL TOLERANCE
UNLESS OTHERWISE NOTED

Angle	±5°
X.	±0.35
.X	±0.25
.XX	±0.15
.XXX	±0.10



德力康电子科技有限公司



DELIKANG ELECTRONICS TECHNOLOGY CO.,LTD

C	名称 TITLE:	USB 3.0 AF 90D 15.5H CONNECTOR			
	档案名称 FILE NAME:	C-U3A20-00-01	料号 PART NO.:	22009B05210	
	DRAWING	王永辉	CHECKED	APPROVED	严成旺
	UNIT:	mm	SCALE	1:1	SHEET: 1 of 1