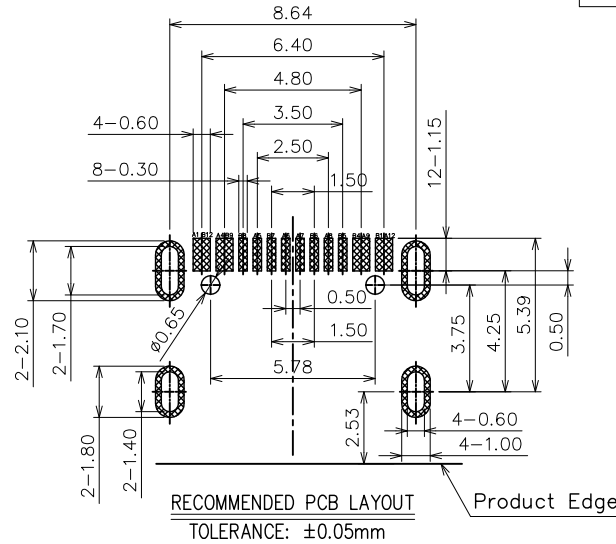
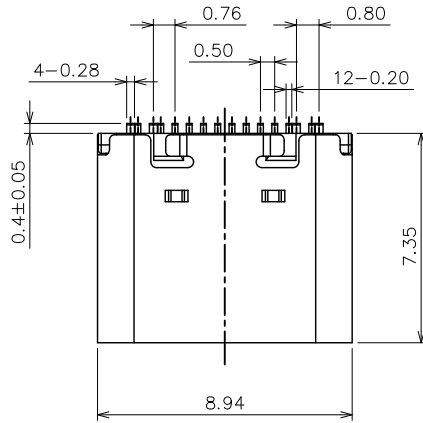


符合"DLK 环境管理物质技术标准"

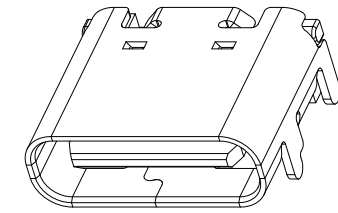
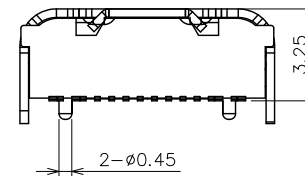
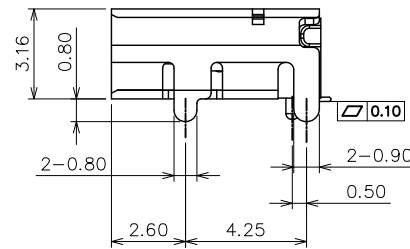
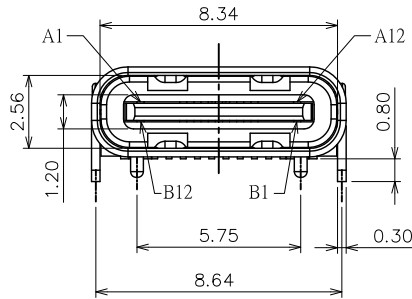
符合USB协会规范要求

工程变更通知单 ECN(DCN) NO.	版本 REV	日期 DATE	说明 DESCRIPTION	改变 CHANGE	承认 APPRO.
KSECN21060	A	20211122	NEW RELEASE	—	—

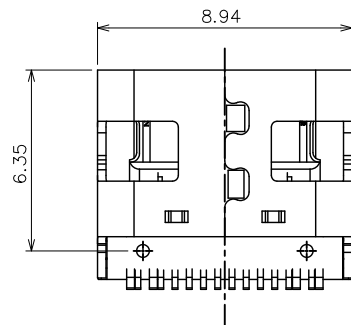


NOTE:

- MATERIAL:
 - Housing: LCP UL94v-0, color: Black
 - Contact: Copper Alloy
 - Shell: Stainless steel
 - EMI SHILD: Stainless steel
 - Mid Plate: Stainless steel
- PLATING:
 - Contact: G/F plated on contact Area & on solder Area, Nickel underplated
 - Shell: Nickel plated overall
- MECHANICAL:
 - Mating force: 5~20N
 - Unmating force: 8~20N
 - Durability: 10000 cycles
- ELECTRICAL:
 - Current Rating: 5A
 - Voltage Rating: 48V
 - Dielectric strength: 100V AC FOR 1 minute
 - Insulation Resistance: 100MΩ Min.
 - Contact Resistance: 40mΩ Max
- Operating Temperature: -55°C to +85°C
- PACKING: Tape & Reel



3D VIEW



A1	GND	B12	GND
A4	VBUS	B9	VBUS
A5	CC1	B8	SBU2
A6	DP1	B7	DN2
A7	DN1	B6	DP2
A8	SBU1	B5	CC2
A9	VBUS	B4	VBUS
A12	GND	B1	GND
PIN	SIGNAL NAME	PIN	SIGNAL NAME

GENERAL TOLERANCE
UNLESS OTHERWISE NOTED

Angle	±5°
X.	±0.35
.X	±0.25
.XX	±0.15
.XXX	±0.10

DLK DELIKANG ELECTRONICS TECHNOLOGY CO.,LTD

名称: TYPE-C 16PIN 板上SMT Type

档案名称: C-U3C41-00-23

料号: 44116B01231

DRAWING: 覃智森

CHECKED: _____

APPROVED: 吴豪

UNIT: mm

SCALE: 1:1

SHEET: 1 of 1