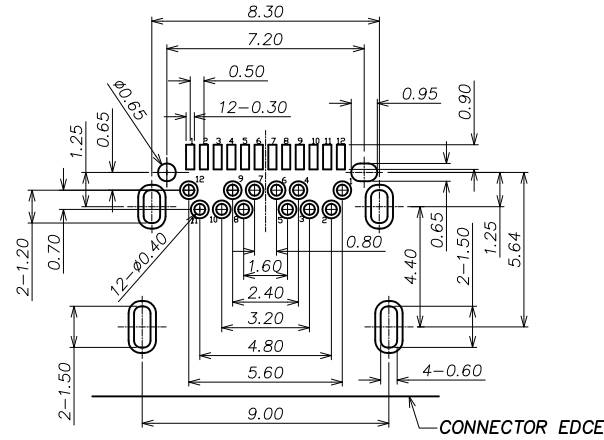
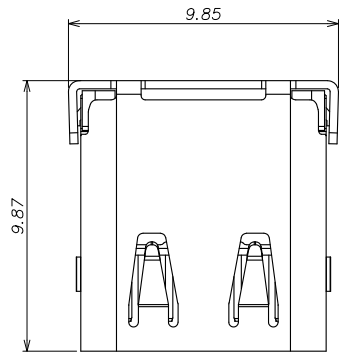


符合"DLK 环境管理物质技术标准",符合USB协会规范要求

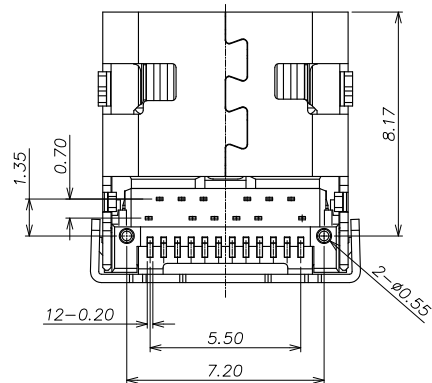
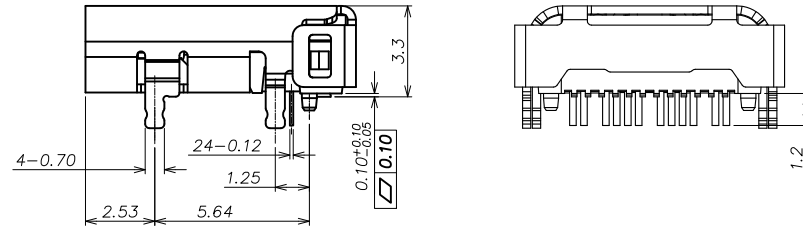
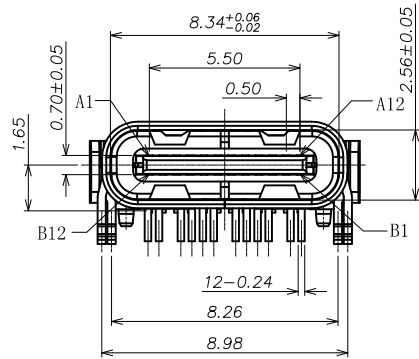
工程变更通知单 ECN(DCN) NO.	版本 REV	日期 DATE	说明 DESCRIPTION	改变 CHANGE	承认 APPRO.
KSECN22044	A	20221017	NEW RELEASE	—	—



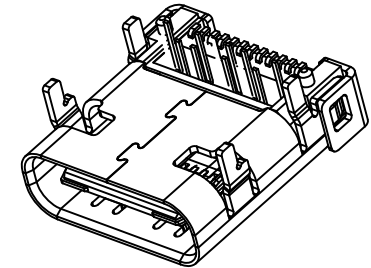
RECOMMENDED P.C.B. LAYOUT (T:1.00mm)
TOLERANCE UNSPECIFIED ±0.05mm

NOTE:

- MATERIAL:
 - Housing: LCP UL94v-0, color: Black
 - Contact: Phosphor bronze
 - Shell: Stainless steel
 - Mid Plate: Stainless steel
- PLATING:
 - Contact: G/F plated on contact Area & on solder Area, Nickel underplated
 - Shell: Nickel plated overall
- MECHANICAL:
 - Mating force: 5~20N
 - Unmating force: 8~20N
 - Durability: 10000 cycles
- ELECTRICAL:
 - Current Rating: 5A
 - Voltage Rating: 48V
 - Dielectric strength: 100V AC FOR 1 minute
 - Insulation Resistance: 100MΩ Min.
 - Contact Resistance: 40mΩ Max
- Operating Temperature: -55°C to +85°C
- PACKING: Tape & Reel



A1	GND	B12	GND
A2	SSTXP1	B11	SSRXP1
A3	SSTXN1	B10	SSRXN1
A4	VBUS	B9	VBUS
A5	CC1	B8	SBU2
A6	DP1	B7	DN2
A7	DN1	B6	DP2
A8	SBU1	B5	CC2
A9	VBUS	B4	VBUS
A10	SSRXN2	B3	SSTXN2
A11	SSRXP2	B2	SSTXP2
A12	GND	B1	GND
PIN	SIGNAL NAME	PIN	SIGNAL NAME



GENERAL TOLERANCE
UNLESS OTHERWISE NOTED

Angle	±5°
X.	±0.35
.X	±0.25
.XX	±0.15
.XXX	±0.10
A4	

德力康电子科技有限公司
DLK DELIKANG ELECTRONICS TECHNOLOGY CO.,LTD

名称 TITLE:	USB TYPE-C/F 前插后贴型 外壳四脚插板			
档案名称 FILE NAME:	C-U3C41-00-13	料号 PART NO.:	44124B01131	
DRAWING	蒋召	CHECKED	覃智森	APPROVED 吴豪
UNIT:	mm	SCALE	1:1	SHEET: 1 of 1