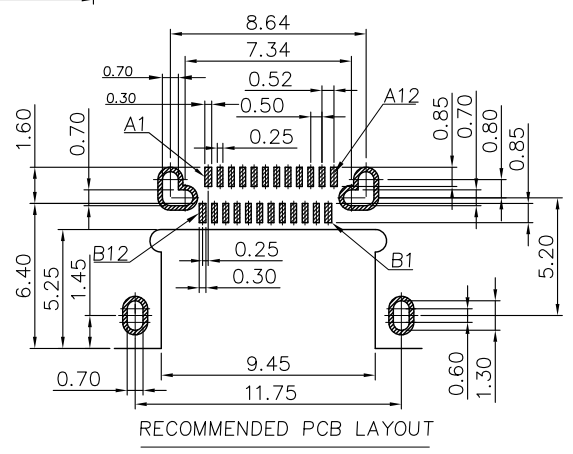
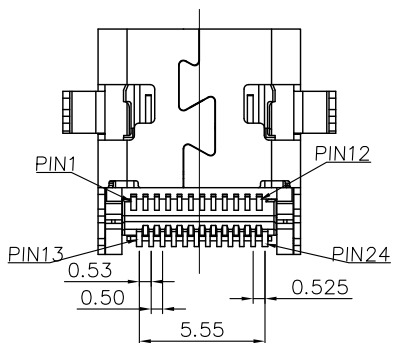
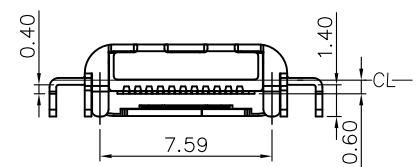
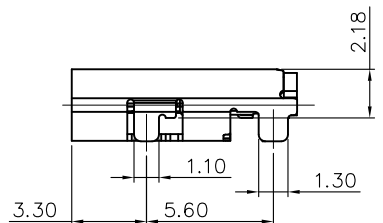
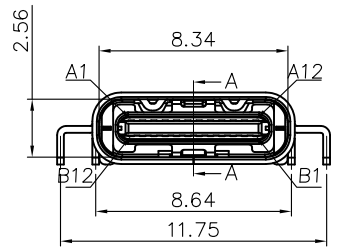
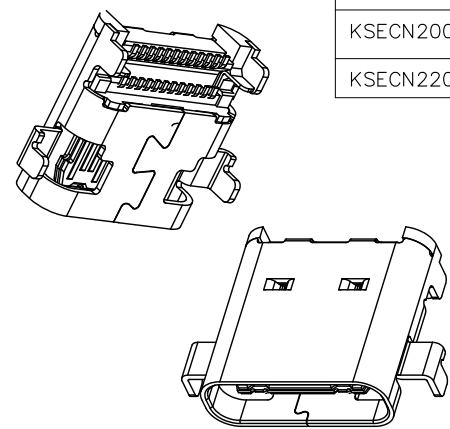
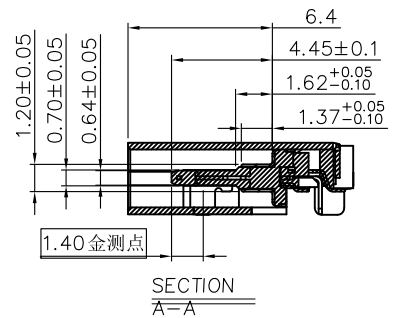
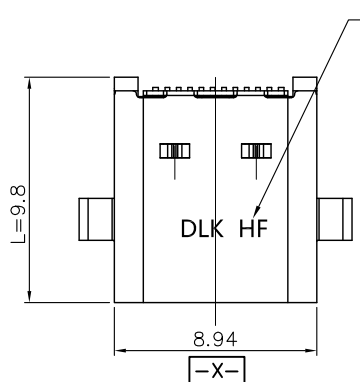


符合"DLK 环境管理物质技术标准",符合USB协会规范要求

工程变更通知单 ECN(DCN) NO.	版本 REV	日期 DATE	说明 DESCRIPTION	改变 CHANGE	承认 APPRO.
KSECN19055	A	20191011	NEW RELEASE	—	—
KSECN19045	B	20200108	更新图面 \triangle *1	王永辉	严成旺
KSECN20015	C	20200520	DLK LOGO和HF字样由喷码印字改为 镭雕印字 \triangle *1	王永辉	严成旺
KSECN22011	D	20220331	外壳由双壳改为单壳	蒋召	吴豪

NOTE:
 1. MATERIAL:
 1.1 Housing: LCP UL94v-0, color: Black
 1.2 Contact: Phosphor bronze
 1.3 Shell: Stainless steel
 1.4 Mid Plate: Stainless steel
 2. PLATING:
 2.1 Contact: G/F plated on contact Area & on solder Area, Nickel underplated
 2.2 Shell: Nickel plated overall
 3. MECHANICAL:
 3.1 Mating force: 5~20N
 3.2 Unmating force: 8~20N
 3.3 Durability: 10000 cycles
 4. ELECTRICAL:
 4.1 Current Rating: 5A
 4.2 Voltage Rating: 48V
 4.3 Dielectric strength: 100V AC FOR 1 minute
 4.4 Insulation Resistance: 100M Ω Min.
 4.5 Contact Resistance: 40m Ω Max
 5. Operating Temperature: -55 $^{\circ}$ c to +85 $^{\circ}$ c
 6. PACKING: Tape & Reel



Pin	Signal Name	Mating Sequence	Pin	Signal Name	Mating Sequence
A1	GND	First	B12	GND	First
A2	SSTXp1	Second	B11	SSRXp1	Second
A3	SSTXn1	Second	B10	SSRXn1	Second
A4	Vms	First	B9	Vms	First
A5	CC1	Second	B8	SBU2	Second
A6	Dp1	Second	B7	Dn2	Second
A7	Dn1	Second	B6	Dp2	Second
A8	SBU1	Second	B5	CC2	Second
A9	Vms	First	B4	Vms	First
A10	SSRXn2	Second	B3	SSTXn2	Second
A11	SSRXp2	Second	B2	SSTXp2	Second
A12	GND	First	B1	GND	First
SHELL	GND		SHELL	GND	

DLK DELIKANG ELECTRONICS TECHNOLOGY CO.,LTD

Angle	±5'
X.	±0.35
.X	±0.25
.XX	±0.15
.XXX	±0.10
A4	

名称 TITLE		USB TYPE-C/F SMT 沉板式			
档案名称 FILE NAME.		C-U3C41-00-05	料号 PART NO.	44124B01151	
DRAWING	覃智森	CHECKED	—	APPROVED	严成旺
UNIT:	mm	SCALE	1:1	SHEET: 1 of 1	