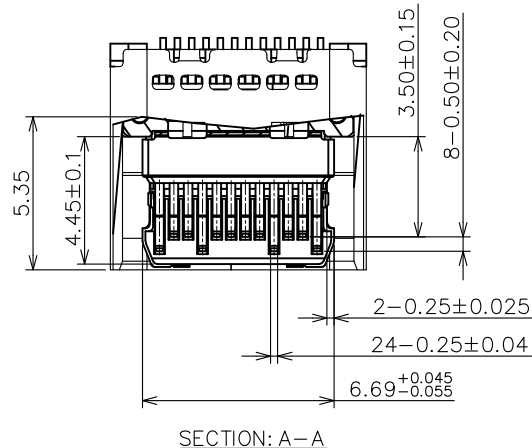
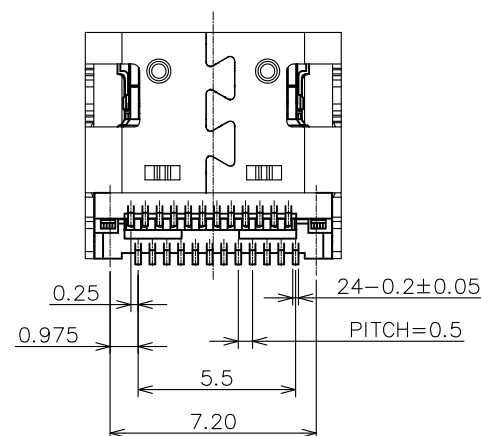
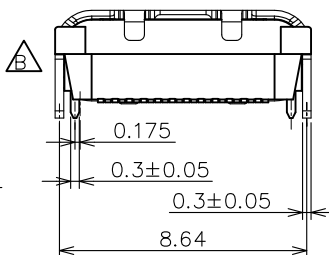
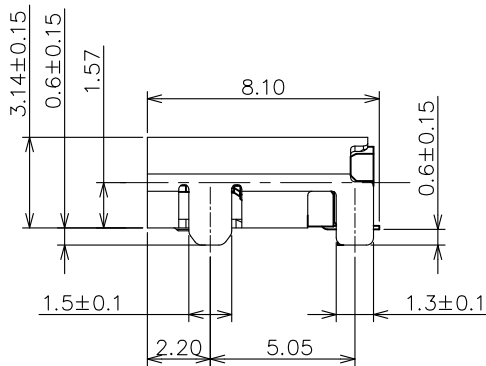
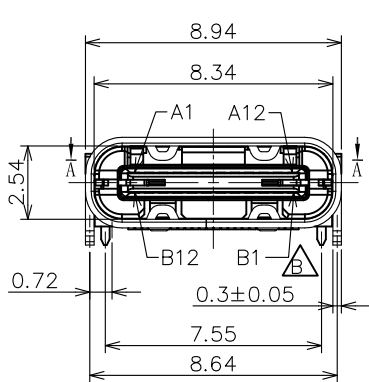
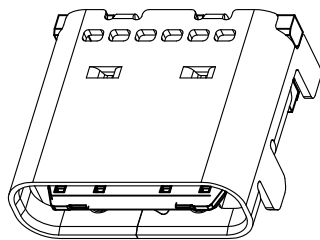
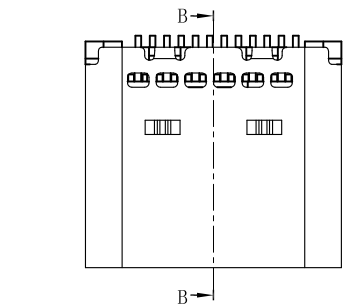


符合"DLK 环境管理物质技术标准",符合USB协会规范要求

工程变更通知单 ECN(DCN) NO.	版本 REV	日期 DATE	说明 DESCRIPTION	改变 CHANGE	承认 APPRO.
KSECN19021	A	20190513	NEW RELEASE	—	—
KSECN20001	B	20200115	1. 依客户要求将产品A1, A12, B1, B12改为独立PIN, 与外壳断开. 2. 将产品锡脚上外观做修改 $\triangle B$ *2	王永辉	严成旺



NOTE:

1. MATERIAL.
 - 1.1 Housing: LCP UL94v-0, color: Black
 - 1.2 Contact: Phosphor bronze
 - 1.3 Shell: Stainless steel
 - 1.4 EMI SHILD: Stainless steel
 - 1.5 Mid Plate: Stainless steel
2. PLATING:
 - 2.1 Contact: G/F plated on contact Area & on solder Area, Nickel underplated
 - 2.2 Shell: Nickel plated overall
3. MECHANICAL:
 - 3.1 Mating force: 5~20N
 - 3.2 Unmating force: 8~20N
 - 3.3 Durability: 10000 cycles
4. ELECTRICAL:
 - 4.1 Current Rating: 5A
 - 4.2 Voltage Rating: 48V
 - 4.3 Dielectric strength: 100V AC FOR 1 minute
 - 4.4 Insulation Resistance: 100MΩ Min.
 - 4.5 Contact Resistance: 40mΩ Max
5. Operating Temperature: -55°C to +85°C
6. PACKING: Tape & Reel

GENERAL TOLERANCE
UNLESS OTHERWISE NOTED

Angle	±5°
X.	±0.35
.X	±0.25
.XX	±0.15
.XXX	±0.10
A4	



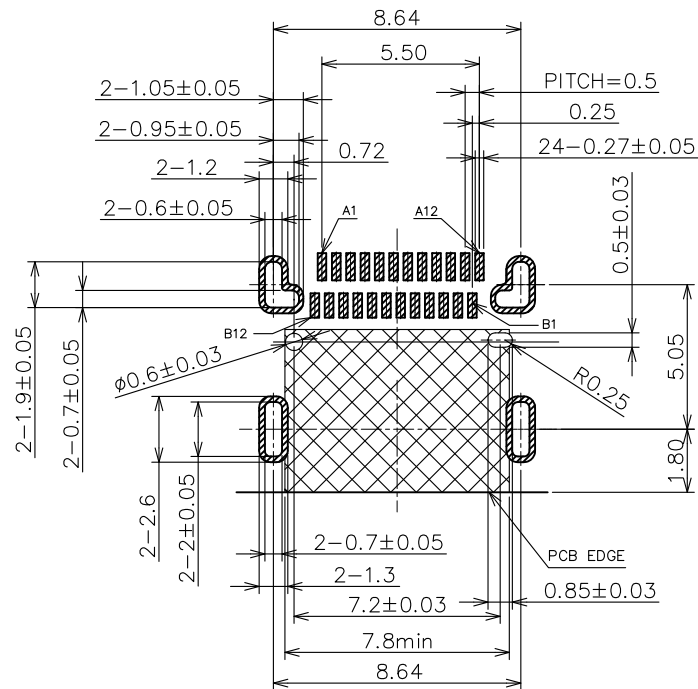
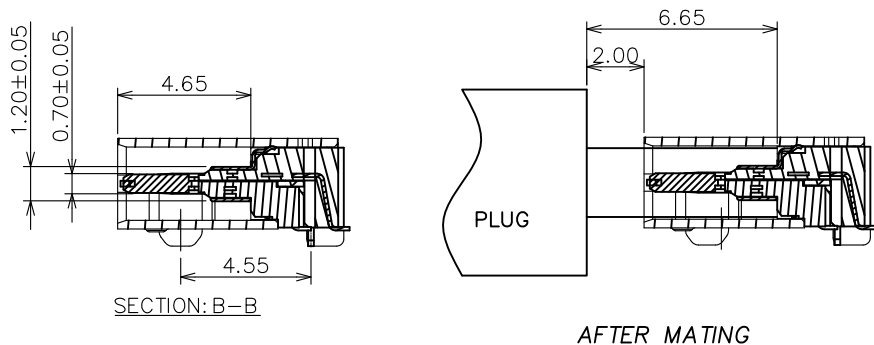
德力康电子科技有限公司

DLK DELIKANG ELECTRONICS TECHNOLOGY CO.,LTD

名称 TITLE:	USB C TYPE 母座, 外壳四脚插板, 端子全贴型			
档案名称 FILE NAME:	C-U3C41-00-01	料号 PART NO.:	44124B11111	
DRAWING	覃智森	CHECKED	王永辉	APPROVED 严成旺
UNIT:	mm	SCALE	1:1	SHEET: 1 of 2

符合"DLK 环境管理物质技术标准",符合USB协会规范要求


工程变更通知单 ECN(DCN) NO.	版本 REV	日期 DATE	说明 DESCRIPTION	改变 CHANGE	承认 APPRO.
KSECN19021	A	20190513	NEW RELEASE	—	—
KSECN20001	B	20200115	1. 依客户要求将产品A1, A12, B1, B12改为独立PIN, 与外壳断开. 2. 将产品锡脚上外观做修改 $\triangle B^*2$	王永辉	严成旺



RECOMMENDED PCB LAYOUT(TOP VIEW)
THICKNESS 0.60MM; DEFAULT TOLERANCE: ± 0.05

USB TYPE-C PIN ASSIGNMENTS

PIN NUMBER	SIGNAL NAME	PIN NUMBER	SIGNAL NAME
A1	GND	B12	GND
A2	SSTXp1	B11	SSRXp1
A3	SSTXn1	B10	SSRXn1
A4	Vbus	B9	Vbus
A5	CC1	B8	SBU2
A6	Dp1	B7	Dn2
A7	Dn1	B6	Dp2
A8	SBU1	B5	CC2
A9	Vbus	B4	Vbus
A10	SSRXn2	B3	SSTXn2
A11	SSRXp2	B2	SSTXp2
A12	GND	B1	GND

GENERAL TOLERANCE UNLESS OTHERWISE NOTED		 德力康电子科技有限公司 DLK DELIKANG ELECTRONICS TECHNOLOGY CO.,LTD			
Angle	$\pm 5^\circ$	名称 TITLE: USB C TYPE 3.1母座, 外壳四脚插板, 端子全贴型			
X.	± 0.35	档案名称 FILE NAME: C-U3C41-00-01		料号 PART NO:	44124B11111
.X	± 0.25	DRAWING		覃智森	CHECKED 王永辉
.XX	± 0.15	UNIT: mm		SCALE	1:1
.XXX	± 0.10	SHEET: 2 of 2		APPROVED 严成旺	
A4	