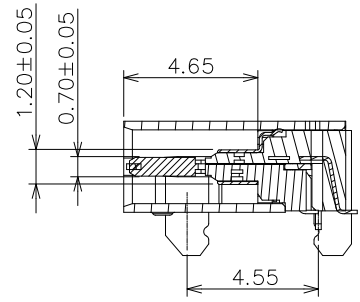
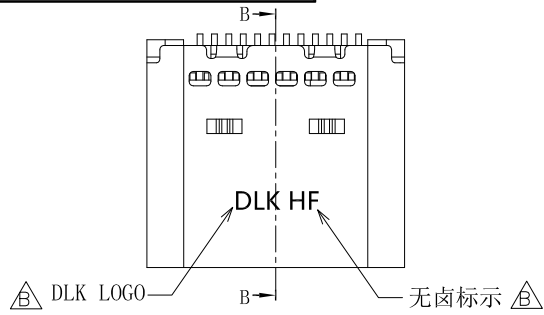


符合"DLK 环境管理物质技术标准"

符合USB协会规范要求

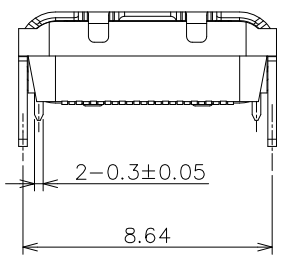
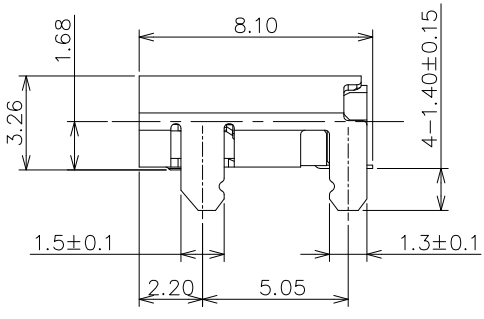
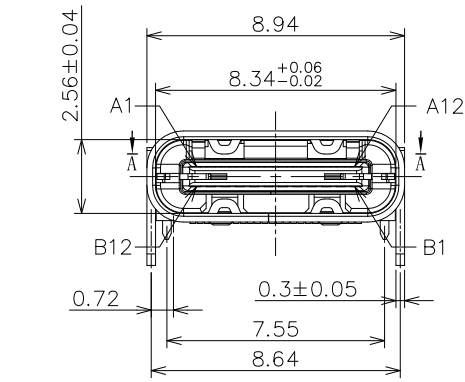
工程变更通知单 ECN(DCN) NO.	版本 REV	日期 DATE	说明 DESCRIPTION	改变 CHANGE	承认 APPRO.
KSECN19063	A	20191204	NEW RELEASE	—	—
KSECN20014	B	20200413	增加DLK LOGO和HF标识 \triangle *2	王永辉	严成旺



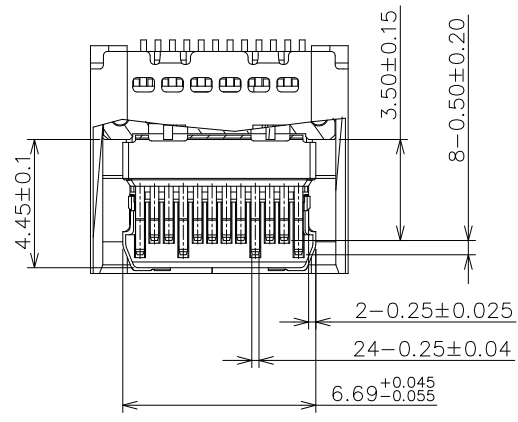
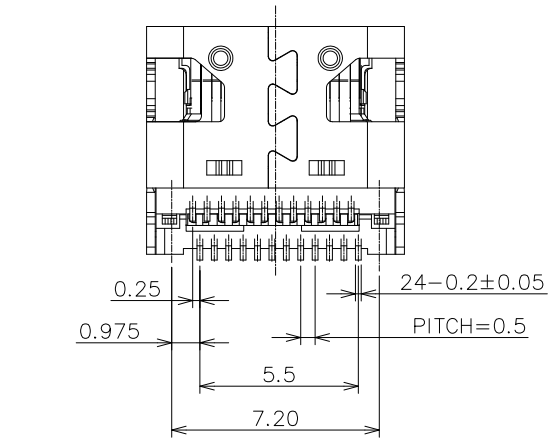
SECTION: B-B

NOTE:

- MATERIAL:
 - Housing: LCP UL94v-0, color: Black
 - Contact: Copper Alloy
 - Shell: Stainless steel
 - EMI SHILD: Stainless steel
 - Mid Plate: Stainless steel
- PLATING:
 - Contact: G/F plated on contact Area & on solder Area, Nickel underplated
 - Shell: Nickel plated overall
- MECHANICAL:
 - Mating force: 5~20N
 - Unmating force: 8~20N
 - Durability: 10000 cycles
- ELECTRICAL:
 - Current Rating: 5A
 - Voltage Rating: 48V
 - Dielectric strength: 100V AC FOR 1 minute
 - Insulation Resistance: 100M Ω Min.
 - Contact Resistance: 40m Ω Max
- PACKING: Tape & Reel



SECTION: A-A



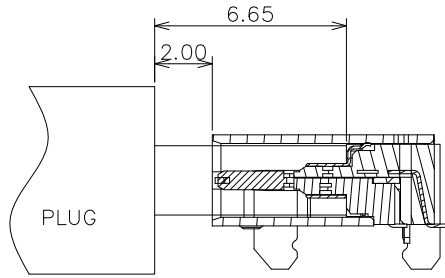
DLK 德力康电子科技有限公司
DELIKANG ELECTRONICS TECHNOLOGY CO.,LTD

名称 TITLE:		USB Type-C R/A CH1.58mm Dip1.4mm SMT Type Conn.			
档案名称 FILE NAME:		C-U3C41-00-04	料号 PART NO.:	44124B11141	
DRAWING		王永辉	CHECKED	APPROVED	严成旺
UNIT: mm		UNIT:	mm	SCALE	1:1
A4		SHEET: 1 of 2			

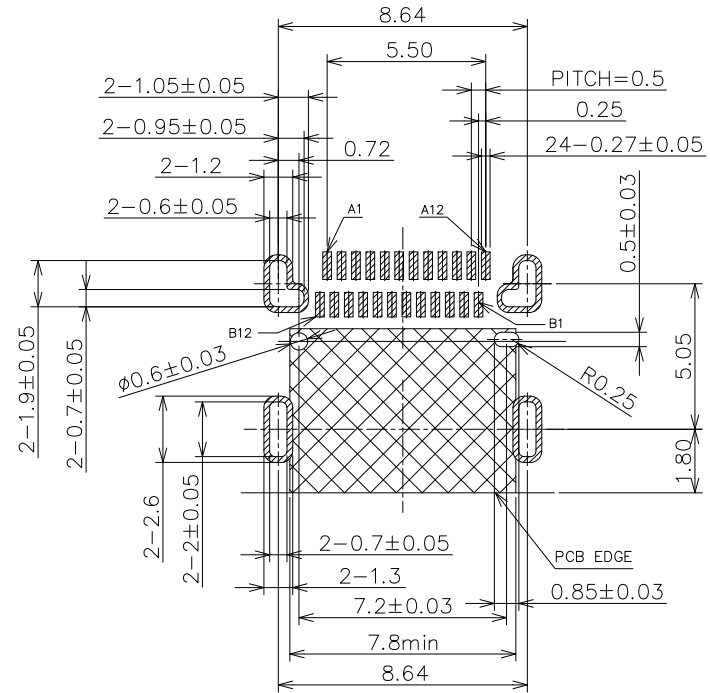
符合"DLK 环境管理物质技术标准"

符合USB协会规范要求

工程变更通知单 ECN(DCN) NO.	版本 REV	日期 DATE	说明 DESCRIPTION	改变 CHANGE	承认 APPRO.
KSECN19063	A	20191204	NEW RELEASE	—	—
KSECN20014	B	20200413	增加DLK LOGO和HF标识 \triangle *2	王永辉	严成旺



AFTER MATING



RECOMMENDED PCB LAYOUT

TOLERANCE: ±0.05mm

USB TYPE-C PIN ASSIGNMENTS

PIN NUMBER	SIGNAL NAME	PIN NUMBER	SIGNAL NAME
A1	GND	B12	GND
A2	SSTXp1	B11	SSRXp1
A3	SSTXn1	B10	SSRXn1
A4	Vbus	B9	Vbus
A5	CC1	B8	SBU2
A6	Dp1	B7	Dn2
A7	Dn1	B6	Dp2
A8	SBU1	B5	CC2
A9	Vbus	B4	Vbus
A10	SSRXn2	B3	SSTXn2
A11	SSRXp2	B2	SSTXp2
A12	GND	B1	GND

GENERAL TOLERANCE UNLESS OTHERWISE NOTED	
Angle	±5°
.X	±0.35
.XX	±0.25
.XXX	±0.15
UNIT:	mm
A4	

德力康电子科技有限公司
DLK DELIKANG ELECTRONICS TECHNOLOGY CO.,LTD

名称 TITLE: USB Type-C R/A CH1.58mm Dip1.4mm SMT Type Conn.

档案名称 FILE NAME: C-U3C41-00-04 料号 PART NO: 44124B11141

DRAWING 王永辉 CHECKED 王成 APPROVED 严成旺

UNIT: mm SCALE 1:1 SHEET: 2 of 2