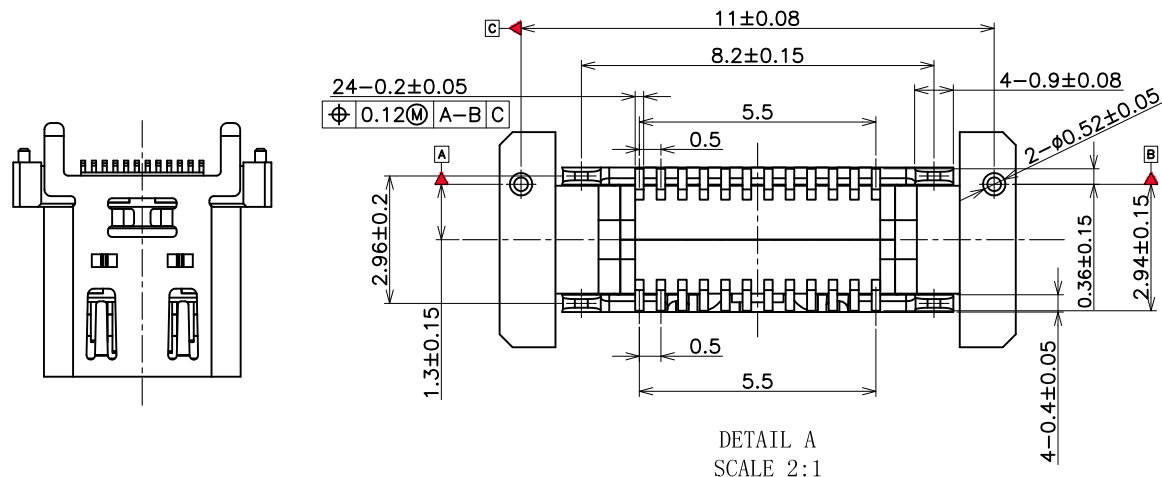


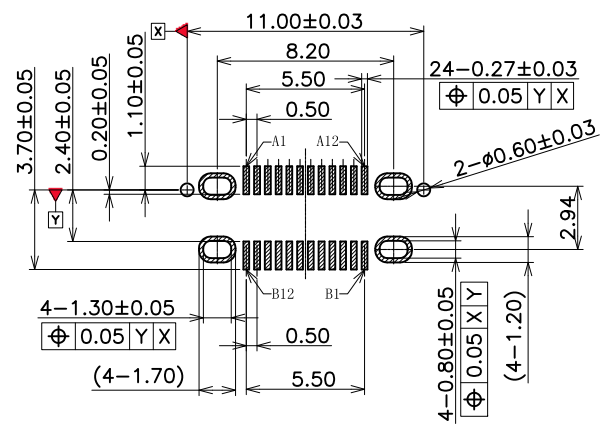
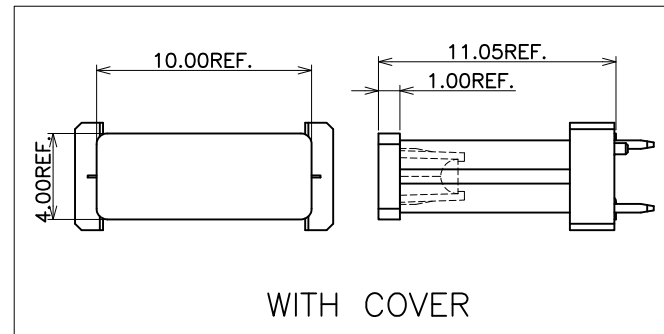
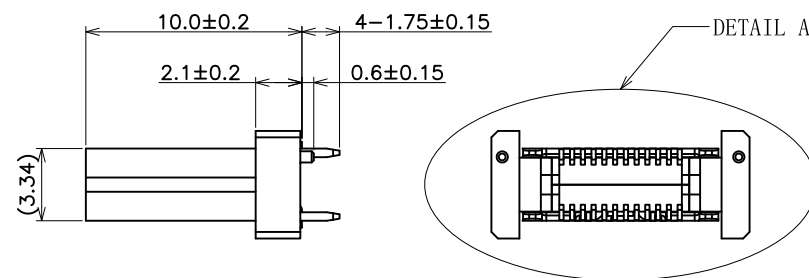
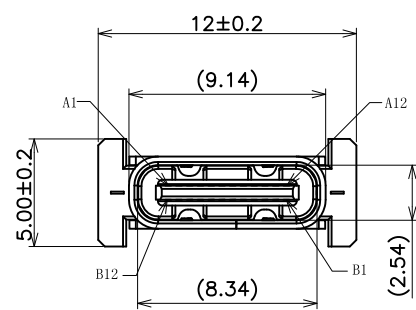
符合"DLK环境管理物质技术标准",符合USB协会规范要求

工程变更通知单 ECN(DCN) NO.	版本 REV	日期 DATE	说明 DESCRIPTION	改变 CHANGE	承认 APPRO.
KSECN20055	A	20201222	NEW RELEASE	—	—



NOTE:

- MATERIAL:
  - Housing: LCP UL94v-0, color: Black
  - Contact: Phosphor bronze
  - Shell: Stainless steel
  - Mid Plate: Stainless steel
- PLATING:
  - Contact: G/F plated on contact Area & on solder Area, Nickel underplated
  - Shell: Nickel plated overall
- MECHANICAL:
  - Mating force: 5~20N
  - Unmating force: 8~20N
  - Durability: 10000 cycles
- ELECTRICAL:
  - Current Rating: 5A
  - Voltage Rating: 48V
  - Dielectric strength: 100v AC FOR 1 minute
  - Insulation Resistance: 100MΩ Min.
  - Contact Resistance: 40mΩ Max
- Operating Temperature: -55°C to +85°C
- PACKING: Tape & Reel



RECOMMENDED P.C.B. LAYOUT (T:1.00mm)  
TOLERANCE UNSPECIFIED ±0.05mm

A1	GND	B12	GND
A2	TXP1	B11	RXP1
A3	TXN1	B10	RXN1
A4	VBUS	B9	VBUS
A5	CC1	B8	SBU2
A6	DP1	B7	DN2
A7	DN1	B6	DP2
A8	SBU1	B5	CC2
A9	VBUS	B4	VBUS
A10	RXN2	B3	TXN2
A11	RXP2	B2	TXP2
A12	GND	B1	GND
PIN	SIGNAL NAME	PIN	SIGNAL NAME

GENERAL TOLERANCE UNLESS OTHERWISE NOTED	
Angle	±5°
X.	±0.35
.X	±0.25
.XX	±0.15
.XXX	±0.10
A4	

德力康电子科技有限公司  
DLK DELIKANG ELECTRONICS TECHNOLOGY CO.,LTD

C 名称 TITLE:	USB TYPE-C 母头 直立式SMT H=10.0mm		
档案名称 FILE NAME:	C-U3C61-00-20	料号 PART NO:	46124B11201
DRAWING	蒋召	CHECKED	APPROVED 覃智森
UNIT:	mm	SCALE	1:1 SHEET: 1 of 1